



Hanna Test Center - Houston, Texas

# Water Wizard Arch



# Water Wizard Arch

The Hanna Water Wizard Arch combines Hanna and Jim Coleman technology into a powerful yet cost effective high pressure water applicator. The arch utilizes Hanna's exclusive oscillating spray head with multiple zero degree nozzles. High pressure allows penetration into areas brushes cannot reach like wheel wells, body side moldings and roof racks. The top manifold oscillates left to right and the side manifolds up and down scrubbing the complete vehicle surface. Both top and side manifolds pivot fore and aft to provide high pressure cleaning to the hard to reach front and rear of vehicles.

## Design Features

### Construction

- Stainless Steel Frame
- Optional Stainless Steel "Skins" w/ Graphics
- 96" Vehicle Clearance
- Hydraulic Drive

### Standard Dimensions

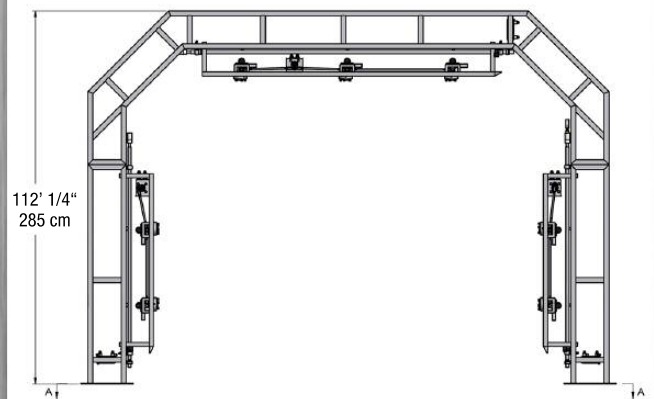
- Operating Space: 8' (243 cm)
- Width: 157" (398 cm)
- Length: 20" (51 cm)
- Height: 113" (287 cm)
- Clearance: 96" (243 cm)

### Design features

- Hydraulic driven oscillating motion
- Air operated pivots
- Seven oscillating spray heads
- Zero degree spray nozzles
- Custom graphics available



## Component Assembly



## Technical Data

Hydraulic Flow: 3.0 GPM @ 200 PSI  
(11.4 LPM @ 14 BAR)

Electrical: 60 Watts @ 24 VAC

Air: 0.02 CFM per Vehicle @ 90 PSI

Water: 35 GPM @ 1000 PSI  
(133 LPM @ 69 BAR)



[www.hannacarwash.com](http://www.hannacarwash.com)  
800-999-9878 713-683-9878