



Grill & Side Washer



Grill & Side Washer



Eliminate the expense, time and labor to pre-wash grills, license plates, and headlights as well as to remove bugs and other caked on road grime.

Hanna's Grill Washer is two washers in one. It follows and cleans the complete front vertical surface of the vehicle safely and then follows smoothly and safely to wash the tall side surfaces. Hanna's standard 70" brush height allows for cleaning of high SUVs and Vans.

It is gentle and does not bend license plates because the washers rotate at the vehicle like a side brush (in the opposite rotation of the flex wrap brushes) and provide the necessary force to clean with no prepping.

It can be fitted with Hanna Soft Cloth or Lite Foam material. Simple Shocks and Pneumatic controls allow the operator the flexibility to control pressure against the vehicle.

For operators who own a Hanna Side Washer or Angled Side Washer, a kit is available to convert the component. Check with your Hanna representative to make sure there is enough tunnel space.

Like all Hanna components the Grill brush is built to last a generation. Compare the build quality, wash coverage and simplicity. Hanna proves once again that Nothings Tougher™.

Design Features

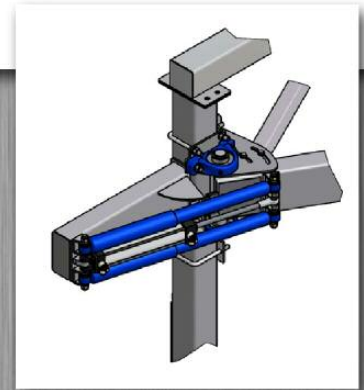
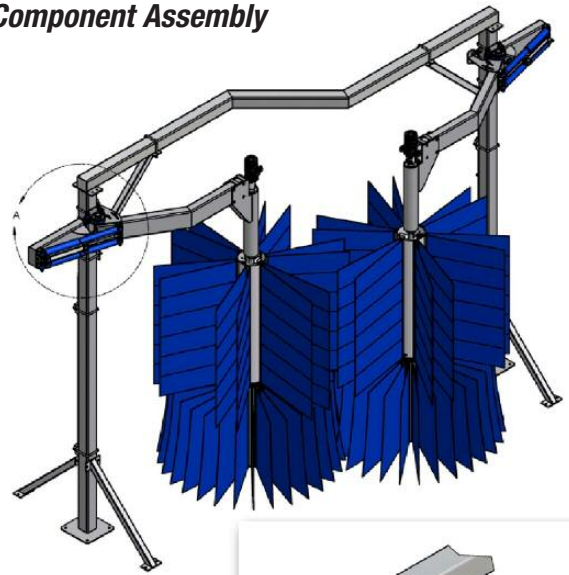
Construction

- Stainless Steel
- Operating Space Required: 10'
- Brush Height -- 70" (177.80 cm)
- Overall Height -- 10'6" (3.21 m)

Brush Dimensions

- Top Brush Panel: 24"/28" X 42"
(61 cm/71 cm X 107 cm)
- Bottom Brush Panel: 22"/18.5" X 28"
(56 cm/47 cm X 71 cm)
- Top Core: 8" x 42"
(20.32 cm x 107 cm)
- Bottom Core: 10" x 28"
(25.40 cm x 71 cm)

Component Assembly



Technical Data

Hydraulic Flow: 3.0 GPM (11.4 LPM)

Speed: 50 RPM

Washer Material: Hanna Soft Cloth or Lite Foam



www.hannacarwash.com
800-999-9878 713-683-9878